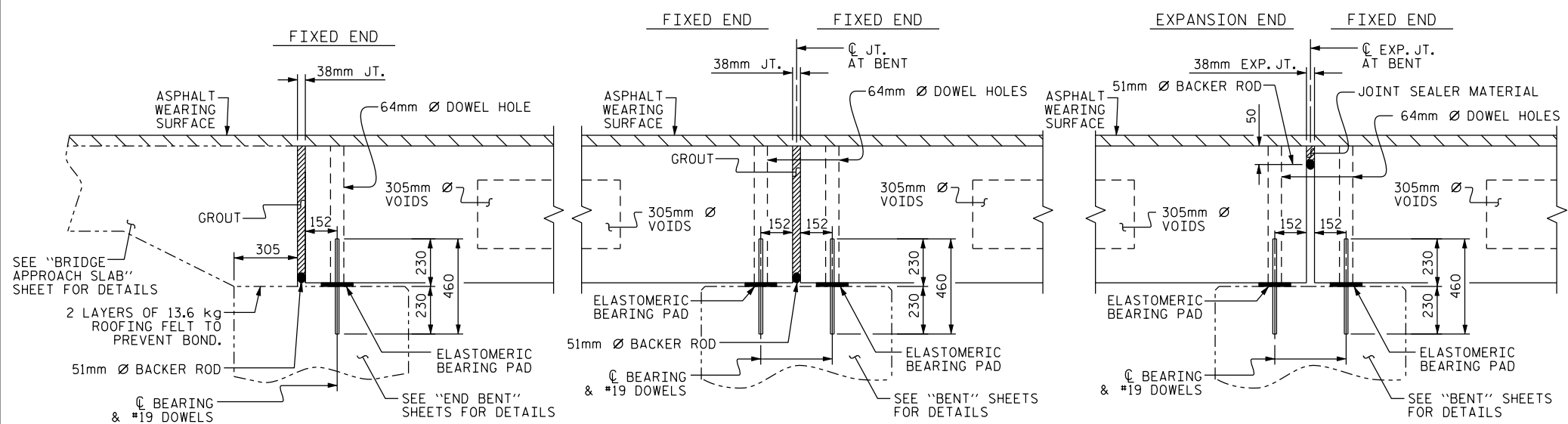


PART PLAN-EXTERIOR SECTION

NOTE: EXTERIOR SECTION SHOWN-INTERIOR SECTION SIMILAR EXCEPT OMIT S3 BARS.

TYPICAL SECTION

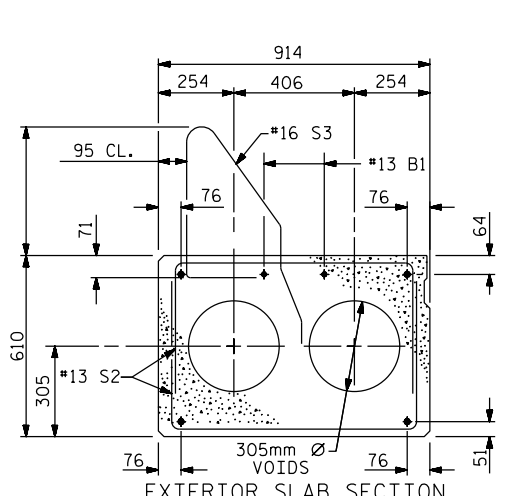


SECTION AT END BENT

SECTION AT BENT

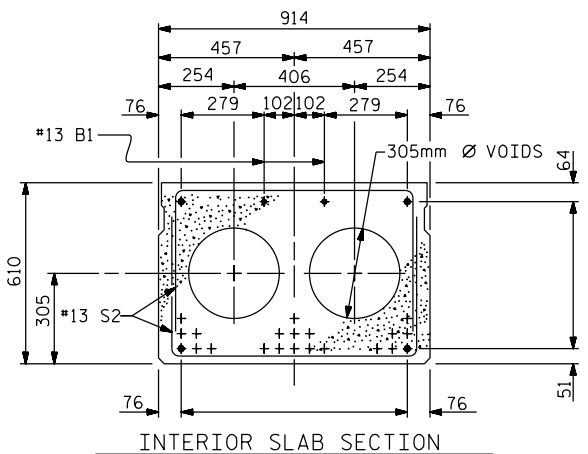
SECTION AT BENT

GROUTED RECESS AT END OF POST-TENSIONED STRAND-CORED SLABS



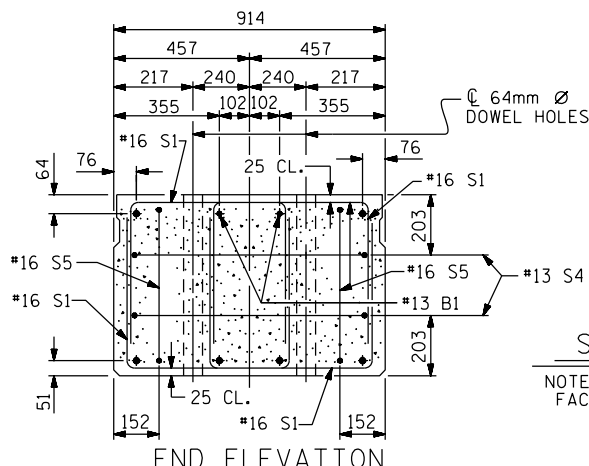
EXTERIOR SLAB SECTION

(FOR PRESTRESSED STRAND LAYOUT, SEE INTERIOR SLAB SECTION)



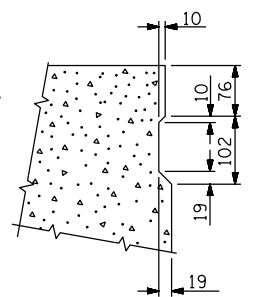
INTERIOR SLAB SECTION

15.24mm Ø LOW RELAXATION STRAND LAYOUT



END ELEVATION

SHOWING PLACEMENT OF DOUBLE STIRRUPS AND LOCATION OF DOWEL HOLES (STRAND LAYOUT NOT SHOWN) INTERIOR SLAB SECTION SHOWN-EXTERIOR SLAB SECTION SIMILAR EXCEPT SHEAR KEY LOCATION.



SHEAR KEY DETAIL

NOTE: OMIT SHEAR KEY ON OUTSIDE FACE OF EXTERIOR CORED SLABS.

ASSEMBLED BY :	DATE :
CHECKED BY :	DATE :
DRAWN BY : MAA 5/10	ADDED 5/6/10
CHECKED BY : GM 5/10	

PROJECT NO. _____
 COUNTY _____
 STATION: _____
 SHEET OF _____

STATE OF NORTH CAROLINA DEPARTMENT OF TRANSPORTATION RALEIGH					
STANDARD 914mm X 610mm PRESTRESSED CONCRETE CORED SLAB UNIT					
REVISIONS					
NO.	BY:	DATE:	NO.	BY:	DATE:
1			3		
2			4		
					SHEET NO.
					TOTAL SHEETS